



### Discount Codes

063	LXT Solvent Cement	
064	Schedule 80 LXT Clear Pipe	
065	Schedule 80 LXT Clear Fittings	
066	LXT Clear Valves	
073	Solvent Cement Accessories	
299	Valve Accessories, Repair Kits, Components	
623	Gauge Guard - LXT	

*Item prices may have changed from those shown in this sheet.  
See Spears® On-line Catalog for most current pricing, updated daily.*

# LXT Low-Extractable Piping For Ultra-Pure Water Systems



**Visit our web site:  
[www.spearsmfg.com](http://www.spearsmfg.com)**

*See Spears® On-line Catalog for most current pricing, updated daily.*

**PRICE SCHEDULE LXT-1-0910  
Effective September 26, 2010  
Supersedes: LXT-1-1009**



Quality Systems Certificate No. 293  
Corporate Facilities, Sylmar, CA  
Assessed to ISO 9001: 2008

**2010 EDITION  
SCHEDULE 80 LXT  
PVC**



# LXT Low-Extractable Piping For Ultra Pure Water Systems

## HOW TO USE THIS CATALOG

Spears® LXT Schedule 80 PVC Pipe and Fittings catalog has been arranged for easy use in selection of desired products according to part number, size, packaging and pricing information. A complete listing of content is located at the end of this catalog.

## COLUMN HEADER INFORMATION

Each product column header label identifies the following product particulars:

Part Number	The number used to order the part.
Size	Nominal diameter of pipe with which the fitting is to be used, gauge capacity, or other information as applicable. NOTE: Fittings may be same size (only one size designation) or reducing (multiple sizes designated).
Standard Pack (Std Pk)	The quantity of parts packaged in an individual box or bag.
Master Carton (Mstr Ctn)	The total quantity of parts contained in individual boxes or bags which are packaged together.
Discount Code (Disc Code)	Identification code for applicable discount to the list price of the product. NOTE: This is a Product Group code and is not a calculation of discount. Discount codes are not the same for all products contained in this price schedule.
Price Each	The designated list price of the product.

## PRODUCT CONFIGURATION

Each group of product configuration types is headed by the product's name and an abbreviated configuration description of the fitting outlet connections. Configuration descriptions are defined below. Both photographic and line drawing illustrations are general representations of the fittings in the group, but may not be an exact depiction of all configurations listed. **Line drawings are correlated to the configuration description; photos are not.** The drawing is read left to right for all configurations. Tees and crosses have additional outlet branches and are read left to right then top to bottom, as applicable. The configuration description also correlates to the size designation. As with the nominal size designations, only one description is given when all outlets are the same. Reducing tees and crosses list run configurations (left to right) x branch configuration (top, or top to bottom).

## CONFIGURATION DESCRIPTIONS

Definitions of abbreviated configuration descriptions follow.

Fipt	Female Iron Pipe Thread
Mipt	Male Iron Pipe Thread
Soc	Solvent Weld Socket (IPS)
Spig	Spigot End (IPS)
SR Fipt	Special Reinforced Plastic Female Iron Pipe Thread

## ADDITIONAL INFORMATION

LXT PACKAGING - All pipe, fittings and valves are double-bagged and boxed on-line for high purity environments.

ADDITIONAL PART NUMBER INFORMATION - Letters contained in part numbers denote special information as indicated below.

BL	LXT Blue
SR	Special Reinforced

ADDITIONAL LXT PUBLICATIONS AVAILABLE - LXT-4, Spears® LXT Schedule 80 PVC Pipe and Fittings

### Spears® LXT SCHEDULE 80 PIPE

NOMINAL PIPE SIZE	PART NUMBER	AVG. OD	AVG. ID	MIN. WALL	MAX. W.P. PSI*	LBS/FT	LGTHS/ CARTONS
1/2"	LXT-005	.840	.528	.147	420	.202	22
3/4"	LXT-007	1.050	.724	.154	340	.273	22
1"	LXT-010	1.315	.935	.179	320	.402	18
1-1/4"	LXT-012	1.660	1.256	.191	260	.554	14
1-1/2"	LXT-015	1.900	1.476	.200	240	.673	11
2"	LXT-020	2.375	1.913	.218	200	.932	8
3"	LXT-030	3.500	2.864	.300	190	1.903	5
4"	LXT-040	4.500	3.786	.337	160	2.782	2
6"	LXT-060	6.625	5.709	.432	140	5.313	1

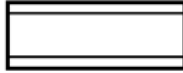
\* PSI water, non-shock @ 73°F (23°C) with solvent welded connections.  
Standard Length - 15 feet. All pipe is double-bagged and boxed on-line for high purity environments.

# LXT Low-Extractable Piping For Ultra Pure Water Systems



Part Number	Size	Std Pk	Mstr Ctn	Disc Code	Price Each
-------------	------	--------	----------	-----------	------------

## Spears® LXT Schedule 80 Pipe 15' Lengths, Price Per Foot

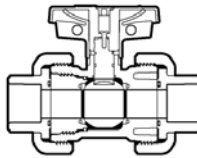


List Price Per Foot

LXT-005	1/2	300	0	064	4.57
LXT-007	3/4	255	0	064	6.19
LXT-010	1	150	0	064	9.12
LXT-012	1-1/4	120	0	064	12.62
LXT-015	1-1/2	105	0	064	15.27
LXT-020	2	75	0	064	21.18
LXT-030	3	45	0	064	43.20
LXT-040	4	30	0	064	63.15
LXT-060	6	15	0	064	146.40

See Spears® LXT Schedule 80 Pipe Chart for additional information.

## Spears® LXT True Union 2000 Industrial Ball Valves w/Handle Lockout & Safe-T-Block™

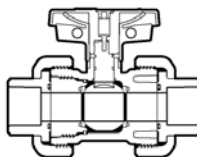


### Design EPDM O-ring

1829-005BL	1/2	1	18	066	88.87
1829-007BL	3/4	1	18	066	108.91
1829-010BL	1	1	12	066	138.17
1829-012BL	1-1/4	1	8	066	183.15
1829-015BL	1-1/2	1	8	066	239.51
1829-020BL	2	1	4	066	338.14
1822-030BL	3	1	0	066	625.70
1822-040BL	4	1	0	066	1057.79
1822-060BL	6	1	0	066	1929.60

NOTE: Both socket and threaded end connectors are included on valve sizes 1/2" - 2". Socket end connectors are standard on 3" & 4" valves.

## Spears® LXT True Union 2000 Industrial Ball Valves w/Handle Lockout & Safe-T-Block™



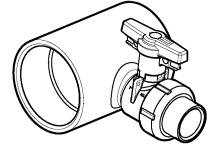
### Design Viton® O-rings

1839-005BL	1/2	1	18	066	103.79
1839-007BL	3/4	1	18	066	122.77
1839-010BL	1	1	12	066	166.33
1839-012BL	1-1/4	1	8	066	232.05
1839-015BL	1-1/2	1	8	066	303.89
1839-020BL	2	1	4	066	397.76
1832-030BL	3	1	0	066	773.04
1832-040BL	4	1	0	066	1306.13
1832-060BL	6	1	0	066	2163.51

NOTE: Both socket and threaded end connectors are included on valve sizes 1/2" - 2". Socket end connectors are standard on 3" & 4" valves.

Part Number	Size	Std Pk	Mstr Ctn	Disc Code	Price Each
-------------	------	--------	----------	-----------	------------

## Spears® True Union 2000 Industrial T-Style Ball Valve EPDM

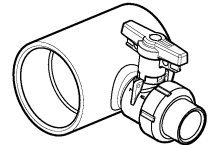


Safe-T-Block™ Design

182901-005BL	1/2	1	12	066	339.95
182901-007BL	3/4	1	8	066	371.46
182901-010BL	1	1	8	066	314.64
182901-012BL	1-1/4	0	0	066	350.97
182901-015BL	1-1/2	0	0	066	363.66
182901-020BL	2	1	0	066	388.50
182901-101BL	3/4X1/2	1	12	066	345.54
182901-130BL	1X1/2	1	8	066	358.49
182901-131BL	1X3/4	1	8	066	378.47
182901-166BL	1-1/4X1/2	1	8	066	383.50
182901-167BL	1-1/4X3/4	1	8	066	385.48
182901-168BL	1-1/4X1	1	8	066	441.86
182901-209BL	1-1/2X1/2	1	8	066	430.73
182901-210BL	1-1/2X3/4	1	8	066	385.48
182901-211BL	1-1/2X1	1	8	066	458.52
182901-247BL	2X1/2	1	8	066	491.86
182901-248BL	2X3/4	1	8	066	530.73
182901-249BL	2X1	1	8	066	558.56
182901-251BL	2X1-1/2	1	8	066	579.06
182901-333BL	3X1/2	1	0	066	647.51
182901-335BL	3X1	1	0	066	806.22
182901-337BL	3X1-1/2	1	0	066	772.53
182901-338BL	3X2	1	0	066	847.59
182901-417BL	4X1	1	0	066	833.68
182901-419BL	4X1-1/2	1	0	066	928.18
182901-420BL	4X2	1	0	066	1106.01
182901-528BL	6X2	1	0	066	1444.63
182901-578BL	8X2	1	0	066	2131.46

Includes Plugged end with additional Socket and Threaded end connectors.

## Spears® True Union 2000 Industrial T-Style Ball Valve Viton®



Safe-T-Block™ Design

183901-005BL	1/2	1	12	066	355.96
183901-007BL	3/4	1	8	066	389.84
183901-010BL	1	1	8	066	406.04
183901-015BL	1-1/2	0	0	066	419.47
183901-020BL	2	1	4	066	477.63
183901-101BL	3/4X1/2	1	12	066	361.57
183901-130BL	1X1/2	1	8	066	374.52
183901-131BL	1X3/4	1	8	066	396.85



# LXT Low-Extractable Piping For Ultra Pure Water Systems

Part Number	Size	Std Pk	Mstr Ctn	Disc Code	Price Each
-------------	------	--------	----------	-----------	------------

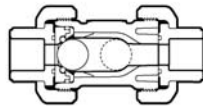
### Spears® True Union 2000 Industrial T-Style Ball Valve (continued)

Viton®

183901-166BL	1-1/4X1/2	1	8	066	399.52
183901-167BL	1-1/4X3/4	1	8	066	403.86
183901-168BL	1-1/4X1	1	8	066	469.44
183901-209BL	1-1/2X1/2	1	8	066	399.52
183901-210BL	1-1/2X3/4	1	8	066	403.86
183901-211BL	1-1/2X1	1	8	066	469.44
183901-247BL	2X1/2	1	8	066	507.91
183901-248BL	2X3/4	1	8	066	549.12
183901-249BL	2X1	1	8	066	586.15
183901-251BL	2X1-1/2	1	8	066	690.26
183901-333BL	3X1/2	1	0	066	663.52
183901-335BL	3X1	1	0	066	705.66
183901-337BL	3X1-1/2	1	0	066	806.97
183901-338BL	3X2	1	0	066	911.69
183901-417BL	4X1	1	0	066	861.27
183901-419BL	4X1-1/2	1	0	066	962.59
183901-420BL	4X2	1	0	066	1170.15
183901-528BL	6X2	1	0	066	1508.76
183901-578BL	8X2	1	0	066	2195.57

Includes Plugged end with additional Socket and Threaded end connectors.

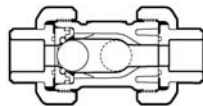
### Spears® LXT True Union 2000 Industrial Ball Check Valves EPDM O-rings



4529-005BL	1/2	1	18	066	130.07
4529-007BL	3/4	1	18	066	157.15
4529-010BL	1	1	18	066	179.90
4529-012BL	1-1/4	1	12	066	318.63
4529-015BL	1-1/2	1	8	066	337.06
4529-020BL	2	1	8	066	563.57
4522-030BL	3	1	0	066	791.18
4522-040BL	4	1	0	066	1484.14

NOTE: Both socket and threaded end connectors are included on valve sizes 1/2" - 2". Socket end connectors are standard on 3" & 4" valves.

### Spears® LXT True Union 2000 Industrial Ball Check Valves Viton® O-rings



4539-005BL	1/2	1	18	066	144.15
4539-007BL	3/4	1	18	066	173.40
4539-010BL	1	1	18	066	195.28
4539-012BL	1-1/4	1	12	066	330.54
4539-015BL	1-1/2	1	8	066	357.83
4539-020BL	2	1	8	066	585.26

Part Number	Size	Std Pk	Mstr Ctn	Disc Code	Price Each
-------------	------	--------	----------	-----------	------------

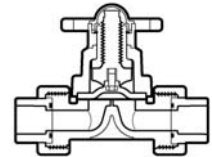
### Spears® LXT True Union 2000 Industrial Ball Check Valves (continued)

Viton® O-rings

4532-030BL	3	1	0	066	842.69
4532-040BL	4	1	0	066	1563.68

NOTE: Both socket and threaded end connectors are included on valve sizes 1/2" - 2". Socket end connectors are standard on 3" & 4" valves.

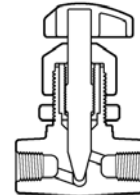
### Spears® LXT Diaphragm Valves EPDM O-ring Seals EPDM Backed PTFE Diaphragm



2729T-005BL	1/2	1	12	066	245.28
2729T-007BL	3/4	1	8	066	263.52
2729T-010BL	1	1	8	066	308.02
2729T-012BL	1-1/4	1	4	066	416.39
2729T-015BL	1-1/2	1	4	066	505.38
2729T-020BL	2	1	0	066	663.96

Note: Both socket and threaded end connectors are provided with valve sizes 1/2" - 2" Diaphragm valves. Valves carry a maximum pressure rating of 150 psi for water, non-shock, @ 73°F (23°C).

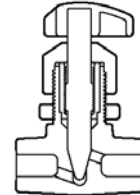
### LXT Needle Valve Globe Pattern - FIPT



5591-002BL	1/4	1	18	066	118.64
5591-003BL	3/8	1	18	066	118.64

Replaceable PTFE Stem Seal – no elastomer or lubricants used. Needle valves carry a maximum internal pressure rating of 235 psi at 73°F (23°C).

### LXT Needle Valve Globe Pattern - Soc



5592-002BL	1/4	1	18	066	118.64
5592-003BL	3/8	1	18	066	118.64
5592-005BL	1/2	1	18	066	123.45

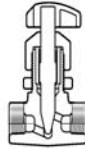
Replaceable PTFE Stem Seal – no elastomer or lubricants used. Needle valves carry a maximum internal pressure rating of 235 psi at 73°F (23°C).

# LXT Low-Extractable Piping For Ultra Pure Water Systems



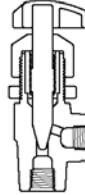
Part Number	Size	Std Pk	Mstr Ctn	Disc Code	Price Each
-------------	------	--------	----------	-----------	------------

## LXT Needle Valve Globe Pattern - SR FIPT



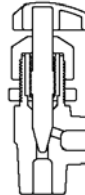
5591-005BLSR	1/2	1	18	066	125.94
Replaceable PTFE Stem Seal – no elastomer or lubricants used. Needle valves carry a maximum internal pressure rating of 235 psi at 73°F (23°C).					

## LXT Needle Valve Angle Pattern - FIPT



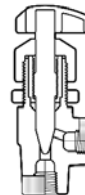
5691-002BL	1/4	1	18	066	118.64
5691-003BL	3/8	1	18	066	118.64
Replaceable PTFE Stem Seal – no elastomer or lubricants used. Needle valves carry a maximum internal pressure rating of 235 psi at 73°F (23°C).					

## LXT Needle Valve Angle Pattern - Soc



5692-002BL	1/4	1	18	066	118.64
5692-003BL	3/8	1	18	066	118.64
5692-005BL	1/2	1	18	066	125.94
Replaceable PTFE Stem Seal – no elastomer or lubricants used. Needle valves carry a maximum internal pressure rating of 235 psi at 73°F (23°C).					

## LXT Needle Valve Angle Pattern - SR FIPT



5691-005BLSR	1/2	1	18	066	125.94
Replaceable PTFE Stem Seal – no elastomer or lubricants used. Needle valves carry a maximum internal pressure rating of 235 psi at 73°F (23°C).					

Part Number	Size	Std Pk	Mstr Ctn	Disc Code	Price Each
-------------	------	--------	----------	-----------	------------

## LXT Gauge Guards PTFE Diaphragm 1/4" Inlet Connection



G0004-002BL	No Gauge	1	18	623	134.77
G30V4-002BL	0-30 in-Hg	1	18	623	208.44
G0154-002BL	0-15 psi	1	18	623	197.00
G0304-002BL	0-30 psi	1	18	623	197.00
G0604-002BL	0-60 psi	1	18	623	197.00
G1004-002BL	0-100 psi	1	18	623	197.00
G1604-002BL	0-160 psi	1	18	623	197.00
G2004-002BL	0-200 psi	1	18	623	197.00
G3004-002BL	0-300 psi	1	18	623	197.00

"No Gauge" designates Gauge Guard only, unfilled. Other units are pre-filled and factory assembled with gauge specified in Size column. Gauge Guards carry a maximum pressure rating to 235 psi @ 73°F (23°C) and full vacuum service on vacuum gauges. All inlet connections are Spears® patented Special Reinforced (SR) female plastic NPT thread.

## LXT Gauge Guards PTFE Diaphragm 1/2" Inlet Connection



G0004-005BL	No Gauge	1	18	623	134.77
G30V4-005BL	0-30 in-Hg	1	18	623	208.44
G0154-005BL	0-15 psi	1	18	623	197.00
G0304-005BL	0-30 psi	1	18	623	197.00
G0604-005BL	0-60 psi	1	18	623	197.00
G1004-005BL	0-100 psi	1	18	623	197.00
G1604-005BL	0-160 psi	1	18	623	197.00
G2004-005BL	0-200 psi	1	18	623	197.00
G3004-005BL	0-300 psi	1	18	623	197.00

"No Gauge" designates Gauge Guard only, unfilled. Other units are pre-filled and factory assembled with gauge specified in Size column. Gauge Guards carry a maximum pressure rating to 235 psi @ 73°F (23°C) and full vacuum service on vacuum gauges. All inlet connections are Spears® patented Special Reinforced (SR) female plastic NPT thread.

## LXT Gauge Guards Viton® Diaphragm 1/4" Inlet Connection



G0003-002BL	No Gauge	1	18	623	134.77
G30V3-002BL	0-30 in-Hg	1	18	623	208.44
G0153-002BL	0-15 psi	1	18	623	197.00
G0303-002BL	0-30 psi	1	18	623	197.00
G0603-002BL	0-60 psi	1	18	623	197.00
G1003-002BL	0-100 psi	1	18	623	197.00



# LXT Low-Extractable Piping For Ultra Pure Water Systems

Part Number	Size	Std Pk	Mstr Ctn	Disc Code	Price Each
-------------	------	--------	----------	-----------	------------

### LXT Gauge Guards (continued)

#### Viton® Diaphragm 1/4" Inlet Connection

G1603-002BL	0-160 psi	1	18	623	197.00
G2003-002BL	0-200 psi	1	18	623	197.00
G3003-002BL	0-300 psi	1	18	623	197.00

"No Gauge" designates Gauge Guard only, unfilled. Other units are pre-filled and factory assembled with gauge specified in Size column. Gauge Guards carry a maximum pressure rating to 235 psi @ 73°F (23°C) and full vacuum service on vacuum gauges. All inlet connections are Spears® patented Special Reinforced (SR) female plastic NPT thread.



### LXT Gauge Guards

#### Viton® Diaphragm 1/2" Inlet Connection

G0003-005BL	No Gauge	1	18	623	134.77
G30V3-005BL	0-30 in-Hg	1	18	623	208.44
G0153-005BL	0-15 psi	1	18	623	197.00
G0303-005BL	0-30 psi	1	18	623	197.00
G0603-005BL	0-60 psi	1	18	623	197.00
G1003-005BL	0-100 psi	1	18	623	197.00
G1603-005BL	0-160 psi	1	18	623	197.00
G2003-005BL	0-200 psi	1	18	623	197.00
G3003-005BL	0-300 psi	1	18	623	197.00

"No Gauge" designates Gauge Guard only, unfilled. Other units are pre-filled and factory assembled with gauge specified in Size column. Gauge Guards carry a maximum pressure rating to 235 psi @ 73°F (23°C) and full vacuum service on vacuum gauges. All inlet connections are Spears® patented Special Reinforced (SR) female plastic NPT thread.



### LXT Gauge Guards

#### EPDM Diaphragm 1/4" Inlet Connection

G0002-002BL	No Gauge	1	18	623	129.38
G30V2-002BL	0-30 in-Hg	1	18	623	200.10
G0152-002BL	0-15 psi	1	18	623	189.14
G0302-002BL	0-30 psi	1	18	623	189.14
G0602-002BL	0-60 psi	1	18	623	189.14
G1002-002BL	0-100 psi	1	18	623	189.14
G1602-002BL	0-160 psi	1	18	623	189.14
G2002-002BL	0-200 psi	1	18	623	189.14
G3002-002BL	0-300 psi	1	18	623	189.14

"No Gauge" designates Gauge Guard only, unfilled. Other units are pre-filled and factory assembled with gauge specified in Size column. Gauge Guards carry a maximum pressure rating to 235 psi @ 73°F (23°C) and full vacuum service on vacuum gauges. All inlet connections are Spears® patented Special Reinforced (SR) female plastic NPT thread.

Part Number	Size	Std Pk	Mstr Ctn	Disc Code	Price Each
-------------	------	--------	----------	-----------	------------

### LXT Gauge Guards EPDM Diaphragm 1/2" Inlet Connection



G0002-005BL	No Gauge	1	18	623	129.38
G30V2-005BL	0-30 in-Hg	1	18	623	200.10
G0152-005BL	0-15 psi	1	18	623	189.14
G0302-005BL	0-30 psi	1	18	623	189.14
G0602-005BL	0-60 psi	1	18	623	189.14
G1002-005BL	0-100 psi	1	18	623	189.14
G1602-005BL	0-160 psi	1	18	623	189.14
G2002-005BL	0-200 psi	1	18	623	189.14
G3002-005BL	0-300 psi	1	18	623	189.14

"No Gauge" designates Gauge Guard only, unfilled. Other units are pre-filled and factory assembled with gauge specified in Size column. Gauge Guards carry a maximum pressure rating to 235 psi @ 73°F (23°C) and full vacuum service on vacuum gauges. All inlet connections are Spears® patented Special Reinforced (SR) female plastic NPT thread.

### Harvel LXT® One Step Cement



LXT5-020	PINT	12	0	063	30.32
LXT5-030	QUART	12	0	063	48.91

### Empty Can



MT-654*	Pint	12	0	073	6.21
MT-651*	Quart	12	0	073	7.01
MT-653**	Quart, TT Paint Type	12	0	073	7.01

\* 1-3/4" Screw Necksize  
\*\* TT Paint Type

### Brush



PB1*	1"	100	0	073	8.49
------	----	-----	---	-----	------

\* with 1-3/4" Screw Cap

# LXT Low-Extractable Piping For Ultra Pure Water Systems



Part Number	Size	Std Pk	Mstr Ctn	Disc Code	Price Each
-------------	------	--------	----------	-----------	------------

## Roller



3020	2" Dia. x 3" Length	24	0	073	13.46
* with 1-3/4" Screw Cap					

## Dauber



DP-75"	3/4" Diameter	100	0	073	1.10
DP-150"	1-1/2" Diameter	800	0	073	1.23
DQ-150"	1-1/2" Diameter	800	0	073	1.23

\* Fits Pint Can  
 \*\* Fits Pint Can  
 \*\*\* Fits Quart Can

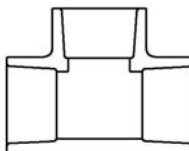
## Can-Mate Dauber



CM-75"	3/4" Diameter	50	0	073	4.71
CM-150"	1-1/2" Diameter	50	0	073	4.71

\* Fits Pint or Quart Can  
 \*\* Fits Pint or Quart Can

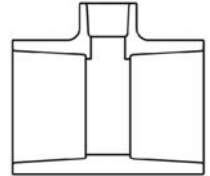
## Tee Soc



801-005BL	1/2	25	0	065	6.91
801-007BL	3/4	15	120	065	8.44
801-010BL	1	15	0	065	12.44
801-012BL	1-1/4	10	0	065	19.38
801-015BL	1-1/2	10	0	065	29.10
801-020BL	2	10	0	065	46.20
801-030BL	3	5	0	065	133.48
801-040BL	4	5	0	065	223.18
801-060BL	6	4	0	065	334.78

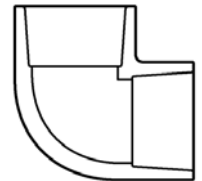
Part Number	Size	Std Pk	Mstr Ctn	Disc Code	Price Each
-------------	------	--------	----------	-----------	------------

## Reducing Tee Soc



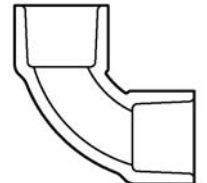
801-131BL	1X1X3/4	15	0	065	11.61
801-211BL	1-1/2X1-1/2X1	10	0	065	25.22
801-249BL	2X2X1	10	0	065	31.93
801-251BL	2X2X1-1/2	10	0	065	31.93
801-338BL	3X3X2	5	0	065	58.55
801-422BL	4X4X3	5	0	065	94.65
801-530BL	6X6X3	4	0	065	401.56
801-532BL	6X6X4	5	0	065	401.56

## 90° Ell Soc



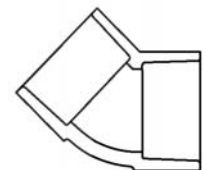
806-005BL	1/2	20	160	065	4.28
806-007BL	3/4	20	160	065	5.12
806-010BL	1	10	80	065	10.15
806-012BL	1-1/4	10	0	065	16.20
806-015BL	1-1/2	10	0	065	23.97
806-020BL	2	25	0	065	40.49
806-030BL	3	5	0	065	103.83
806-040BL	4	5	0	065	191.66
806-060BL	6	4	0	065	287.49

## 90° Sweep Ell Soc



806-005SBL	1/2	25	100	065	6.11
806-007SBL	3/4	25	0	065	7.32
806-010SBL	1	25	0	065	14.50
806-012SBL	1-1/4	25	0	065	23.15
806-015SBL	1-1/2	25	0	065	34.22
806-020SBL	2	25	0	065	57.85

## 45° Ell Soc



817-005BL	1/2	20	240	065	6.85
817-007BL	3/4	10	120	065	9.37
817-010BL	1	15	120	065	11.24
817-012BL	1-1/4	10	0	065	19.54



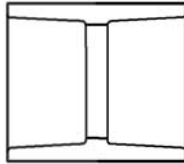
# LXT Low-Extractable Piping For Ultra Pure Water Systems

Part Number	Size	Std Pk	Mstr Ctn	Disc Code	Price Each
-------------	------	--------	----------	-----------	------------

### 45° Ell (continued)

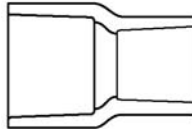
Part Number	Size	Std Pk	Mstr Ctn	Disc Code	Price Each
817-015BL	1-1/2	10	0	065	21.67
817-020BL	2	10	0	065	34.22
817-030BL	3	5	0	065	128.74
817-040BL	4	5	0	065	187.80
817-060BL	6	5	0	065	281.70

### Coupling Soc



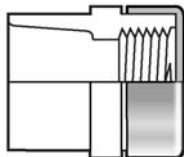
Part Number	Size	Std Pk	Mstr Ctn	Disc Code	Price Each
829-005BL	1/2	25	300	065	3.09
829-007BL	3/4	15	180	065	3.54
829-010BL	1	15	120	065	6.52
829-012BL	1-1/4	10	80	065	9.83
829-015BL	1-1/2	10	0	065	20.27
829-020BL	2	10	0	065	29.10
829-030BL	3	5	0	065	47.34
829-040BL	4	5	0	065	86.12
829-060BL	6	4	0	065	182.83

### Reducer Coupling Soc



Part Number	Size	Std Pk	Mstr Ctn	Disc Code	Price Each
829-101BL	3/4X1/2	50	0	065	8.23
829-131BL	1X3/4	25	200	065	11.99
829-168BL	1-1/4X1	25	0	065	24.35
829-211BL	1-1/2X1	25	0	065	25.54
829-212BL	1-1/2X1-1/4	25	0	065	31.55
829-249BL	2X1	10	0	065	28.80
829-251BL	2X1-1/2	10	0	065	28.80
829-338BL	3X2	8	0	065	70.67
829-420BL	4X2	4	0	065	134.74
829-422BL	4X3	4	0	065	129.67
829-532BL	6X4	4	0	065	496.94

### Special Reinforced Female Adapter Soc x SR Fipt



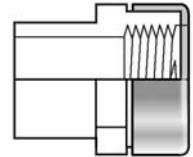
Part Number	Size	Std Pk	Mstr Ctn	Disc Code	Price Each
835-005SRBL	1/2	25	300	065	6.40
835-007SRBL	3/4	25	200	065	7.85
835-010SRBL	1	25	0	065	12.62
835-012SRBL	1-1/4	10	80	065	16.29
835-015SRBL	1-1/2	10	80	065	20.38
835-020SRBL	2	10	0	065	38.64

Part Number	Size	Std Pk	Mstr Ctn	Disc Code	Price Each
-------------	------	--------	----------	-----------	------------

### Special Reinforced Female Adapter (continued) Soc x SR Fipt

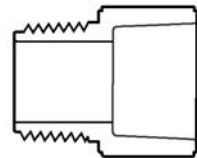
835-030SRBL	3	5	0	065	52.24
835-040SRBL	4	5	0	065	83.84

### Special Reinforced Reducing Spigot Female Adapter Spig x SR Fipt



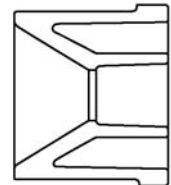
878-072SRBL	1/2X1/4	25	450	065	12.76
878-098SRBL	3/4X1/4	50	300	065	17.62
878-128SRBL	1X1/4	50	0	065	18.13

### Male Adapter Mipt x Soc



836-005BL	1/2	25	300	065	7.84
836-007BL	3/4	25	200	065	8.66
836-010BL	1	10	80	065	15.01
836-012BL	1-1/4	10	80	065	17.55
836-015BL	1-1/2	10	80	065	25.22
836-020BL	2	10	0	065	36.45
836-030BL	3	5	0	065	57.51
836-040BL	4	5	0	065	81.80

### Reducer Bushing Spig x Soc



837-101BL	3/4X1/2	50	0	065	4.66
837-130BL	1X1/2	50	0	065	6.88
837-131BL	1X3/4	50	0	065	6.88
837-166BL	1-1/4X1/2	25	200	065	9.76
837-168BL	1-1/4X1	25	200	065	9.76
837-210BL	1-1/2X3/4	25	0	065	13.28
837-211BL	1-1/2X1	25	200	065	13.28
837-212BL	1-1/2X1-1/4	25	200	065	13.28
837-249BL	2X1	10	80	065	18.96
837-251BL	2X1-1/2	10	80	065	18.96
837-338BL	3X2	10	0	065	52.12
837-422BL	4X3	6	0	065	90.22
837-532BL	6X4	5	0	065	143.34

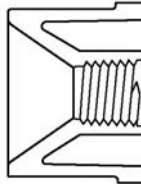


# LXT Low-Extractable Piping For Ultra Pure Water Systems



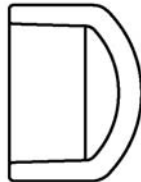
Part Number	Size	Std Pk	Mstr Ctn	Disc Code	Price Each
-------------	------	--------	----------	-----------	------------

## Reducer Bushing Flush Style Spig x Fipt



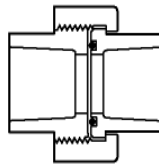
838-072BL	1/2X1/4	50	400	065	5.97
838-073BL	1/2X3/8	50	600	065	5.97
838-098BL	3/4X1/4	50	0	065	3.94
838-101BL	3/4X1/2	50	0	065	3.94
838-129BL	1X3/8	50	400	065	6.21
838-130BL	1X1/2	50	0	065	6.21
838-131BL	1X3/4	50	0	065	6.21
838-210BL	1-1/2X3/4	25	200	065	16.31
838-211BL	1-1/2X1	25	200	065	16.31

## Cap Soc



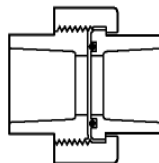
847-005BL	1/2	25	300	065	6.60
847-007BL	3/4	25	300	065	6.93
847-010BL	1	15	180	065	12.31
847-012BL	1-1/4	10	120	065	14.87
847-015BL	1-1/2	10	80	065	21.23
847-020BL	2	10	80	065	29.36
847-030BL	3	5	0	065	70.19
847-040BL	4	5	0	065	118.33
847-060BL	6	4	0	065	399.90

## Union Soc x Soc EPDM O-ring Seals



897-005BL	1/2	10	60	065	11.81
897-007BL	3/4	10	40	065	14.82
897-010BL	1	10	40	065	19.38
897-012BL	1-1/4	5	20	065	27.95
897-015BL	1-1/2	5	0	065	38.22
897-020BL	2	5	0	065	57.62
8097-030BL	3	5	0	065	97.59
8097-040BL	4	4	0	065	135.03

## Union Soc x Soc Viton® O-ring Seals



857-005BL	1/2	10	60	065	14.50
-----------	-----	----	----	-----	-------

Part Number	Size	Std Pk	Mstr Ctn	Disc Code	Price Each
-------------	------	--------	----------	-----------	------------

## Union (continued) Soc x Soc Viton® O-ring Seals

857-007BL	3/4	10	40	065	17.69
857-010BL	1	10	40	065	24.52
857-012BL	1-1/4	5	20	065	33.09
857-015BL	1-1/2	5	0	065	46.20
857-020BL	2	5	0	065	70.16
8057-030BL	3	5	0	065	118.99
8057-040BL	4	4	0	065	164.70

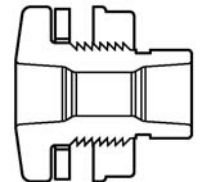
## Flange Soc Van Stone Style



Rated @ 150 psi Working Pressure @ 73°F (23°C)

854-005BL	1/2	25	0	065	20.33
854-007BL	3/4	25	0	065	21.76
854-010BL	1	15	0	065	24.23
854-012BL	1-1/4	15	0	065	24.98
854-015BL	1-1/2	20	0	065	25.50
854-020BL	2	10	0	065	33.89
854-030BL	3	10	0	065	57.87
854-040BL	4	5	0	065	73.20
854-060BL	6	4	0	065	163.98

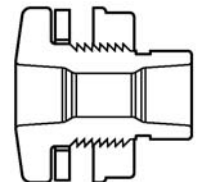
## PVC New Style Standard Tank Adapters with EPDM Gaskets Soc



150 psi Maximum Internal Pressure Rating @ 73°F (23°C)

8170E-005BL	1/2	25	0	065	39.74
8170E-007BL	3/4	25	0	065	45.10
8170E-010BL	1	25	0	065	51.77
8170E-012BL	1-1/4	20	0	065	65.52
8170E-015BL	1-1/2	20	0	065	68.76
8170E-020BL	2	15	0	065	99.11
8170E-030BL	3	4	0	065	167.60
8170E-040BL	4	2	0	065	278.22

## PVC New Style Standard Tank Adapters with Viton® Gaskets Soc



150 psi Maximum Internal Pressure Rating @ 73°F (23°C)

8170V-005BL	1/2	25	0	065	52.10
8170V-007BL	3/4	25	0	065	59.94
8170V-010BL	1	25	0	065	69.38
8170V-012BL	1-1/4	20	0	065	85.24



# LXT Low-Extractable Piping For Ultra Pure Water Systems

Part Number	Size	Std Pk	Mstr Ctn	Disc Code	Price Each
-------------	------	--------	----------	-----------	------------

### PVC New Style Standard Tank Adapters with Viton® Gaskets (continued)

#### Soc

8170V-015BL	1-1/2	20	0	065	88.85
8170V-020BL	2	15	0	065	134.52
8170V-030BL	3	4	0	065	230.48
8170V-040BL	4	2	0	065	510.53

### Wrench Sets Body Wrench & Nut Wrench



TAW-005	1/2	1	25	299	20.80
TAW-007	3/4	1	25	299	21.20
TAW-010	1	1	25	299	22.05
TAW-012	1-1/4	1	20	299	24.87
TAW-015	1-1/2	1	20	299	26.98
TAW-020	2	1	10	299	30.73
TAW-030	3	1	10	299	37.47
TAW-040	4	1	10	299	40.15

### Individual Body Wrench



TAW1-005	1/2	250	0	299	11.67
TAW1-007	3/4	220	0	299	11.89
TAW1-010	1	200	0	299	12.38
TAW1-012	1-1/4	300	0	299	14.02
TAW1-015	1-1/2	150	0	299	15.10
TAW1-020	2	100	0	299	16.39
TAW1-030	3	74	0	299	21.48
TAW1-040	4	35	0	299	22.10

### Individual Nut Wrench

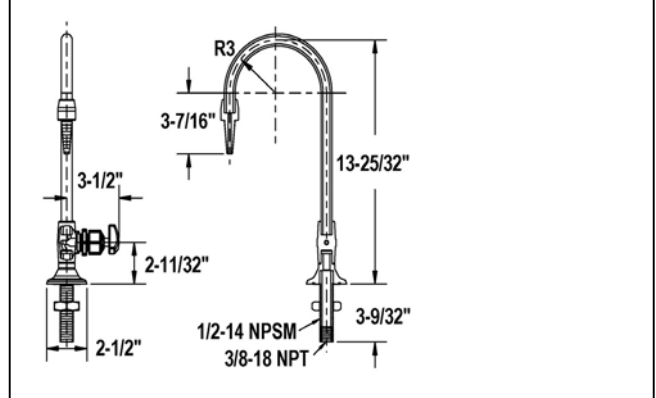


TAW2-005	1/2	200	0	299	11.67
TAW2-007	3/4	160	0	299	11.89
TAW2-010	1	110	0	299	12.38
TAW2-012	1-1/4	200	0	299	14.02
TAW2-015	1-1/2	120	0	299	15.10
TAW2-020	2	100	0	299	16.39
TAW2-030	3	40	0	299	21.48
TAW2-040	4	35	0	299	22.10

Part Number	Size	Std Pk	Mstr Ctn	Disc Code	Price Each
-------------	------	--------	----------	-----------	------------

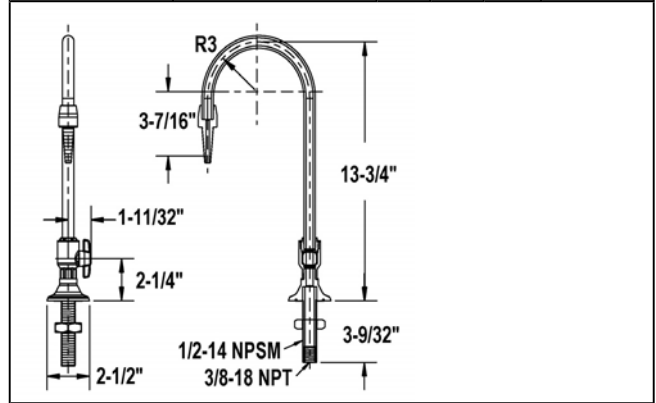
### Standard Deck Mount Lab Fixture Base with Valve, Gooseneck & Serrated Tip with Needle Valve-Metered Flow

LF1000-BLN	LXT, PTFE Seal	1	0	066	357.55
------------	----------------	---	---	-----	--------



### Standard Deck Mount Lab Fixture With Ball Valve-Direct Flow

LF1002-BL	LXT, EPDM Seal	1	0	066	299.00
LF1003-BL	LXT, Viton® Seal	1	0	066	332.23



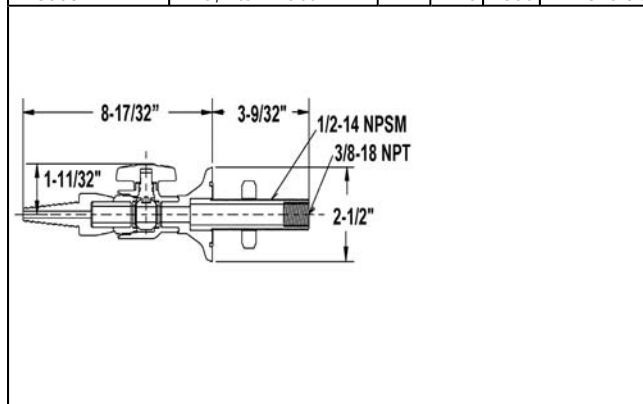
# LXT Low-Extractable Piping For Ultra Pure Water Systems



Part Number	Size	Std Pk	Mstr Ctn	Disc Code	Price Each
-------------	------	--------	----------	-----------	------------

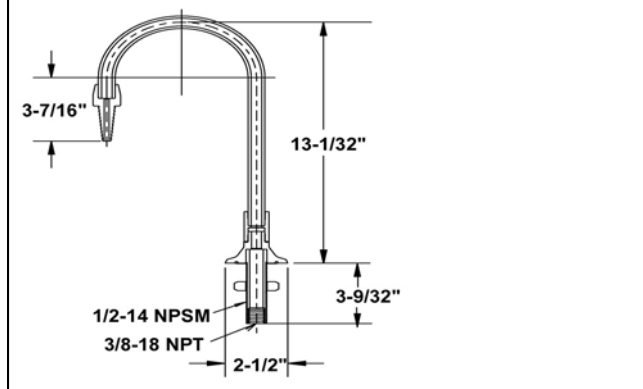
## Panel Mount Turret Lab Fixture Base with Valve & Serrated Tip with Ball Valve-Direct Flow

LF3002-BL	PVC, EPDM Seal	1	0	066	294.12
LF3003-BL	PVC, Viton® Seal	1	0	066	326.84



## Deck Mount Gooseneck Base with Gooseneck & Serrated Tip - For use with Remote Valve

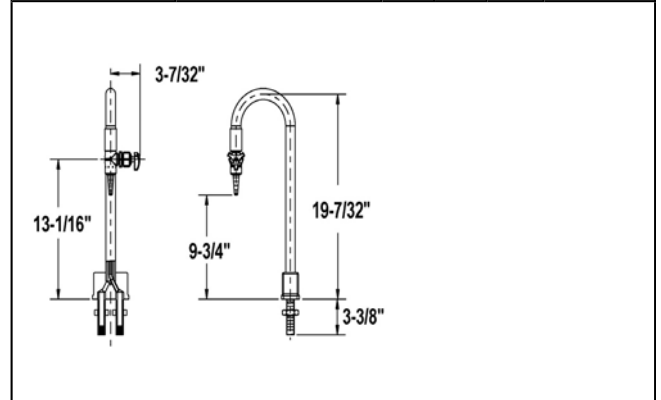
LF100-BL	LXT	1	0	066	245.37
----------	-----	---	---	-----	--------



Part Number	Size	Std Pk	Mstr Ctn	Disc Code	Price Each
-------------	------	--------	----------	-----------	------------

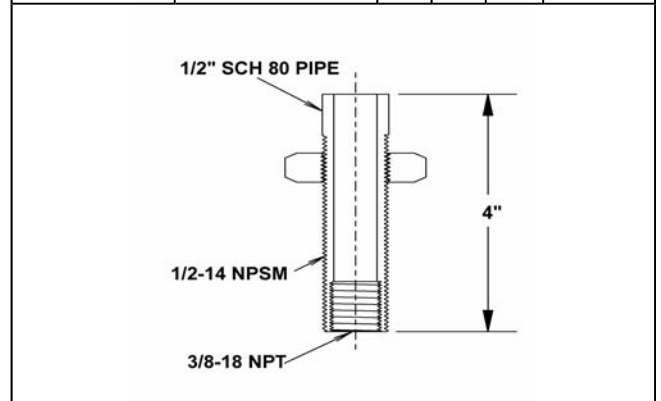
## Recirculating Deck Mount Lab Fixture Base with Gooseneck, Valve & Serrated Tip with Needle Valve - Metered Flow

LFR1000-BLN	LXT, PTFE Seal	1	0	066	744.85
-------------	----------------	---	---	-----	--------



## Fixture Connection Nipple With Locknut (Included on all fixtures listed above)

LF500-BL	LXT	0	0	066	40.64
----------	-----	---	---	-----	-------





# LXT Low-Extractable Piping For Ultra Pure Water Systems

Part Number	Size	Std Pk	Mstr Ctn	Disc Code	Price Each
-------------	------	--------	----------	-----------	------------

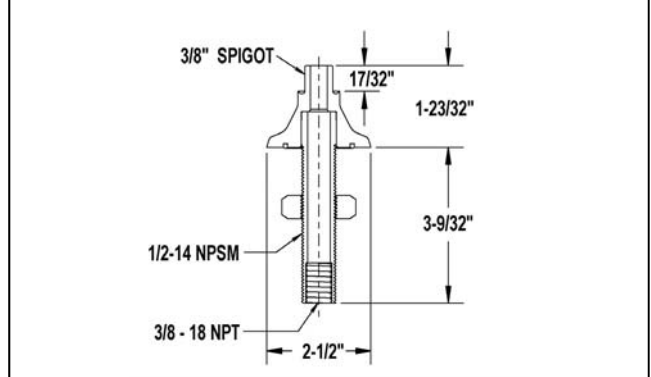
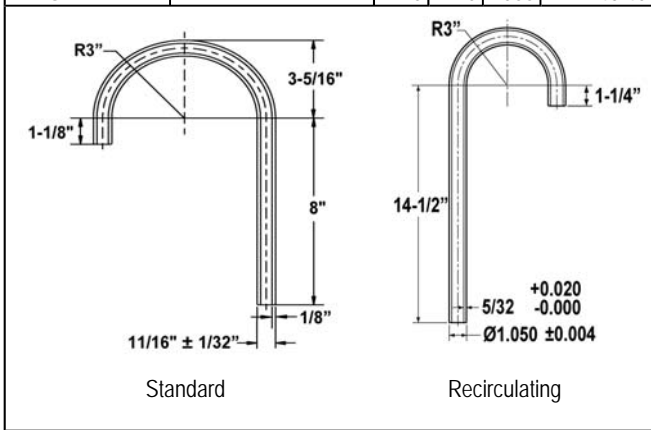
Part Number	Size	Std Pk	Mstr Ctn	Disc Code	Price Each
-------------	------	--------	----------	-----------	------------

### Standard & Recirculating Gooseneck Only

### Base Only Deck Mount

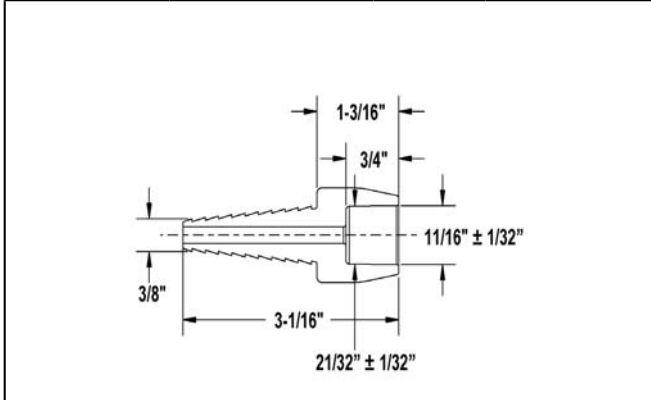
LFGN-BL	LXT	0	0	066	34.54
LFRGN-BL	LXT	0	0	066	48.40

LFB-BL	LXT	0	0	066	5.11
--------	-----	---	---	-----	------



### Straight Serrated Tip Only

LF400-BL	LXT	600	0	066	7.31
----------	-----	-----	---	-----	------



# LXT Low-Extractable Piping For Ultra Pure Water Systems



## SPEARS® QUALITY POLICY

It is the policy and objective of Spears® Manufacturing Company to produce a superior quality product suitable for its intended use, with regard to functionality, structural integrity, and conformance to established industry standards and practices. It is the commitment of this Company to do so in a manner which provides consistency of product quality, optimum availability, and superior customer service, while maintaining efficiency of operations and profitability necessary to perpetuate product improvement and customer satisfaction. Furthermore, it is recognized that the attainment of these objectives is the responsibility of all Company operations and personnel according to their respective functions.

## LIMITED LIFETIME WARRANTY

Except as otherwise mandated by law or herein provided, Spears® Manufacturing Company ("Company") warrants Standard Catalog Products ("Products") which have been directly manufactured by them to be free from defects in material and workmanship for as long as the original intended end user of the Products ("End User") retains ownership and possession of the Products and complies with this Warranty ("Warranty Period"). Each other person or entity acquiring or employing the Products, including buyers, contractors and installers ("Buyer") and End Users ("Buyer/End User") agrees that this Warranty shall be effective only during the Warranty Period so long as the Products are used solely for the normal purposes for which they are intended and in conformance with industry established standards, engineering, installation, operating, and maintenance specifications, recommendations and instructions including explicit instructions by the Company; the Products are properly installed, operated and used, and have not been modified; and all the other terms of this Warranty are complied with. Any violation thereof shall void this Warranty and relieve Company from all obligations arising from this Warranty and the Products.

Upon receipt or discovery of any Products that appear questionable or defective each Buyer/End User shall promptly inspect and return any such Product to the Company at 15853 Olden Street, Sylmar, California 91342, accompanied by a letter stating the nature of any problems. If the Products are determined by Company to be defective in materials or workmanship directly provided by Company, Company, at its sole option, may either repair or replace the defective Products, or reimburse applicable Buyer/End User for the cost of such Products. The applicable Buyer/End User shall bear all applicable shipping costs. THIS SHALL BE BUYERS/END USERS' SOLE REMEDY. EACH BUYER/END USER AGREES THAT COMPANY WILL NOT BE RESPONSIBLE FOR ANY OTHER OBLIGATIONS RELATING TO THE PRODUCTS, INCLUDING ANY OTHER MATERIALS OR LABOR COSTS, LOSS OF USE OR ANY OTHER ITEM OR FOR ANY DELAYS IN COMPLYING WITH THIS WARRANTY BEYOND COMPANY'S REASONABLE CONTROL.

COMPANY SHALL NOT BE LIABLE FOR, DOES NOT ASSUME, AND EXPRESSLY DISCLAIMS, ANY LIABILITY, RESPONSIBILITY AND DAMAGES: DUE TO ANY BUYER/END USER'S FAILURE TO COMPLY WITH THIS WARRANTY, INCLUDING IMPROPER INSTALLATION, USE OR OPERATION; USE WITH PRODUCTS FROM OTHER MANUFACTURERS THAT DO NOT MEET ASTM OR OTHER APPLICABLE PRODUCT STANDARDS; IMPROPER CONTROL OF SYSTEM HYDRAULICS, IMPROPER WINTERIZATION PROCEDURES, IMPROPER VOLTAGE SUPPLY, CONTACT WITH INCOMPATIBLE MATERIALS OR CHEMICALS, EXCAVATION/DIGGING, EXCESSIVE WEIGHT, AND VANDALISM; DUE TO REASONABLE WEAR AND TEAR AND DUE TO ANY ACTS OF NATURE, INCLUDING LIGHTNING, EARTHQUAKES, GROUND MOVEMENT, FROST HEAVE, OR FLOODS.

COMPANY EXTENDS ONLY THIS WARRANTY AND EXPLICITLY DISCLAIMS ALL OTHER WARRANTIES, WHETHER IMPLIED OR OTHERWISE EXPRESSED, WHETHER ORAL, STATUTORY OR OTHERWISE, INCLUDING ANY IMPLIED WARRANTIES OR AFFIRMATIONS FOR SUITABILITY, MERCHANTABILITY OR FITNESS FOR A PARTICULAR PURPOSE. NO AFFIRMATION BY COMPANY OR ANY OF ITS REPRESENTATIVES, BY WORDS, CONDUCT OR OTHERWISE, SHALL CONSTITUTE A WARRANTY. THIS WARRANTY MAY NOT BE TRANSFERRED, EXTENDED, ALTERED OR OTHERWISE MODIFIED IN ANY MANNER, EXCEPT BY WRITTEN AGREEMENT SIGNED BY COMPANY.

BY ITS ACCEPTANCE OF THE PRODUCTS, EACH BUYER/END USER EXPRESSLY WAIVES ALL OTHER LIABILITY OR OBLIGATION OF ANY KIND OR CHARACTER OF COMPANY, INCLUDING LIABILITY PREDICATED UPON CONTRACT, TORT, STRICT LIABILITY OR OTHER LEGAL OR EQUITABLE GROUNDS, AND ALL, IF ANY, DAMAGES AND LOSSES AS A RESULT THEREOF, INCLUDING ALL, IF ANY, COMPENSATORY, GENERAL, SPECIAL, CONSEQUENTIAL, INCIDENTAL, OR PUNITIVE DAMAGES. WITH RESPECT TO SUCH WAIVERS, EACH BUYER/END USER EXPLICITLY WAIVES CALIFORNIA CIVIL CODE §1542 WHICH STATES "A GENERAL RELEASE DOES NOT EXTEND TO CLAIMS WHICH THE CREDITOR DOES NOT KNOW OR SUSPECT TO EXIST IN HIS FAVOR AT THE TIME OF EXECUTING THIS RELEASE, WHICH IF KNOWN BY HIM MUST HAVE MATERIALLY ADVERSELY AFFECTED HIS SETTLEMENT WITH DEBTOR" AND ALL OTHER SIMILAR STATUTORY, COMMON AND CASE LAW RIGHTS, DEFENSES AND LIMITATIONS.

Having previously independently inspected the Products, or a sample, as fully as desired, or having the opportunity to and having not done so, upon acceptance of delivery of the Products, and except as otherwise herein explicitly provided, each Buyer/End User by acceptance or use of the Products accepts them in their "AS IS" and "WITH ALL FAULTS" condition without any other warranty, expressed, implied or otherwise, and accepts and assumes the entire risk and cost of all servicing, remediation and consequences thereof. This Warranty shall be governed by California law and any unenforceable provisions severed without affecting the remaining provisions. As used herein, "including" includes "without limitation."



## LXT Low-Extractable Piping For Ultra Pure Water Systems

### STANDARDS AND SPECIFICATIONS

Standards provide greater assurance of product performance and consistency, and are available to assist design engineers in system specification. The most frequently referenced industry standards for plastic piping systems are ASTM Standard Specifications and Practices. Along with ASTM Standards, additional product specifications and certifications form the basis of product conformance to which Spears® products are manufactured.

Fittings	ASTM D 2467, Poly (Vinyl Chloride) (PVC) Plastic Pipe Fittings, Schedule 80.
Pipe	ASTM D 1785, Poly (Vinyl Chloride) (PVC) Plastic Pipe, Schedule 40, 80, and 120.
Material	Spears® LXT Schedule 80 Pipe, Fittings and Valves are produced from PVC Cell Classification 12343.

Prices subject to change without notice. Possession of this price schedule shall not be construed as an offer to sell the products listed. Product drawings and/or photographs are representative and may not fully reflect product configurations.

### RECOMMENDATIONS FOR INSTALLERS AND USERS

Plastic piping systems should be ENGINEERED, INSTALLED, and OPERATED in accordance with ESTABLISHED DESIGN AND ENGINEERING STANDARDS AND PROCEDURES for plastic piping systems. Suitability for the intended service application should be determined by the installer and/or user prior to installation of a plastic piping system. PRIOR TO ASSEMBLY, all piping system components should be inspected for damage or irregularities. Mating components should be checked to assure that tolerances and engagements are compatible. Do not use any components that appear irregular or do not fit properly. Contact the appropriate manufacturer of the component product in question to determine usability. Consult all applicable codes and regulations for compliance prior to installation.

**SOLVENT WELD CONNECTIONS** - Use only Harvel LXT® One Step Cement formulated for LXT applications, with the CORRECT SIZE APPLICATOR. Read and follow all of the solvent cement MANUFACTURER'S APPLICATION AND CURE TIME INSTRUCTIONS THOROUGHLY. BEFORE APPLYING LXT CEMENT, appropriate safety precautions should be taken. Cement should be stored in the shade between 40°F and 110°F. Eliminate all ignition sources. Avoid breathing of vapors. Use only with adequate ventilation; explosion-proof general mechanical ventilation or local exhaust is recommended to maintain vapor concentrations below recommended exposure limits. In confined or partially enclosed areas, a NIOSH-approved organic vapor cartridge respirator with full face-piece is recommended. Containers should be kept tightly closed when not in use, and covered as much as possible when in use. Avoid frequent contact with skin; wearing PVA coated protective gloves and impervious apron are recommended. Avoid any contact with eyes; splash-proof chemical goggles are recommended.

**THREADED CONNECTIONS** - Use only a quality grade Teflon® tape for LXT applications thread sealant. **WARNING:** SOME PIPE JOINT COMPOUNDS OR TEFLON® PASTES MAY CONTAIN SUBSTANCES THAT COULD CAUSE STRESS CRACKING TO PLASTIC. 1 to 2 turns beyond FINGER TIGHT is generally all that is required to make a sound plastic threaded connection. Unnecessary OVER TIGHTENING will cause DAMAGE TO BOTH PIPE AND FITTING.

### IMPORTANT

**WATER HAMMER** - Spears® Manufacturing Company, Inc., recommends that all PVC and CPVC plastic piping systems be designed and constructed to AVOID EXCESSIVE WATER HAMMER. Water hammer can cause damage, and failure to pipe, valves, and fittings within the piping system.

**PLEASE NOTE** - When temperatures rise above 73°F, the tensile strength of thermoplastics decreases, thereby derating the pipe or fitting Maximum Internal Pressure. When temperatures fall below 73°F, the tensile strength of thermoplastics increases, however, the impact strength decreases. Maximum operating temperatures for PVC piping systems should not exceed 140°F.

**CAUTION** - Spears® Manufacturing Company DOES NOT RECOMMEND the use of thermoplastic piping products for systems to transport or store compressed air or gases, or the testing of thermoplastic piping systems with compressed air or gases in above and below ground locations. The use of Spears® products in compressed air or gas systems automatically voids Spears® warranty for such products, and their use against our recommendation is entirely the responsibility and liability of the installer. Spears® Manufacturing Company will not accept responsibility for damage or impairment of its products, or other consequential or incidental damages caused by misapplication, incorrect assembly, and/or exposure to harmful substances or conditions.

### NOT FOR USE WITH COMPRESSED AIR OR GASES

**WARNING:** DO NOT USE COMPRESSED AIR OR GAS TO TEST ANY PVC OR CPVC THERMOPLASTIC PIPING PRODUCT OR SYSTEM, AND DO NOT USE DEVICES PROPELLED BY COMPRESSED AIR OR GAS TO CLEAR SYSTEMS. THESE PRACTICES MAY RESULT IN EXPLOSIVE FRAGMENTATION OF SYSTEM PIPING AND COMPONENTS CAUSING SERIOUS OR FATAL BODILY INJURY.

# LXT Low-Extractable Piping For Ultra Pure Water Systems



## CONTENT

### CATALOG INFORMATION

HOW TO USE THIS CATALOG	1
COLUMN HEADER INFORMATION	1
PRODUCT CONFIGURATION	1
CONFIGURATION DESCRIPTIONS	1
ADDITIONAL INFORMATION	1

### PRODUCTS

Spears® LXT Schedule 80 Pipe 15' Lengths, Price Per Foot	2
Spears® LXT True Union 2000 Industrial Ball Valves w/Handle Lockout & Safe-T-Block™ Design EPDM O-ring	2
Spears® LXT True Union 2000 Industrial Ball Valves w/Handle Lockout & Safe-T-Block™ Design Viton® O-rings	2
Spears® True Union 2000 Industrial T-Style Ball Valve EPDM	2
Spears® True Union 2000 Industrial T-Style Ball Valve Viton®	2
Spears® LXT True Union 2000 Industrial Ball Check Valves EPDM O-rings	3
Spears® LXT True Union 2000 Industrial Ball Check Valves Viton® O-rings	3
Spears® LXT Diaphragm Valves EPDM O-ring Seals EPDM Backed PTFE Diaphragm	3
LXT Needle Valve Globe Pattern - FIPT	3
LXT Needle Valve Globe Pattern - Soc	3
LXT Needle Valve Globe Pattern - SR FIPT	4
LXT Needle Valve Angle Pattern - FIPT	4
LXT Needle Valve Angle Pattern - Soc	4
LXT Needle Valve Angle Pattern - SR FIPT	4
LXT Gauge Guards PTFE Diaphragm 1/4" Inlet Connection	4
LXT Gauge Guards PTFE Diaphragm 1/2" Inlet Connection	4
LXT Gauge Guards Viton® Diaphragm 1/4" Inlet Connection	4
LXT Gauge Guards Viton® Diaphragm 1/2" Inlet Connection	5
LXT Gauge Guards EPDM Diaphragm 1/4" Inlet Connection	5
LXT Gauge Guards EPDM Diaphragm 1/2" Inlet Connection	5
Harvel LXT® One Step Cement	5
Empty Can	5
Brush	5
Roller	6
Dauber	6
Can-Mate Dauber	6
Tee Soc	6
Reducing Tee Soc	6
90° Ell Soc	6
90° Sweep Ell Soc	6



## LXT Low-Extractable Piping For Ultra Pure Water Systems

### CONTENT

45° Ell Soc	6
Coupling Soc	7
Reducer Coupling Soc	7
Special Reinforced Female Adapter Soc x SR Fipt	7
Special Reinforced Reducing Spigot Female Adapter Spig x SR Fipt	7
Male Adapter Mipt x Soc	7
Reducer Bushing Spig x Soc	7
Reducer Bushing Flush Style Spig x Fipt	8
Cap Soc	8
Union Soc x Soc EPDM O-ring Seals	8
Union Soc x Soc Viton® O-ring Seals	8
Flange Soc Van Stone Style	8
PVC New Style Standard Tank Adapters with EPDM Gaskets Soc	8
PVC New Style Standard Tank Adapters with Viton® Gaskets Soc	8
Wrench Sets Body Wrench & Nut Wrench	9
Individual Body Wrench	9
Individual Nut Wrench	9
Standard Deck Mount Lab Fixture Base with Valve, Gooseneck & Serrated Tip with Needle Valve-Metered Flow	9
Standard Deck Mount Lab Fixture With Ball Valve-Direct Flow	9
Panel Mount Turret Lab Fixture Base with Valve & Serrated Tip with Ball Valve-Direct Flow	10
Deck Mount Gooseneck Base with Gooseneck & Serrated Tip - For use with Remote Valve	10
Recirculating Deck Mount Lab Fixture Base with Gooseneck, Valve & Serrated Tip with Needle Valve - Metered Flow	10
Fixture Connection Nipple With Locknut (Included on all fixtures listed above)	10
Standard & Recirculating Gooseneck Only	11
Straight Serrated Tip Only	11
Base Only Deck Mount	11
<b>COMPANY INFORMATION</b>	
SPEARS® QUALITY POLICY	12
LIMITED LIFETIME WARRANTY	12
STANDARDS AND SPECIFICATIONS	13
<b>INSTALLATION INFORMATION</b>	
RECOMMENDATIONS FOR INSTALLERS AND USERS	13



# NOTES

# NOTES

# NOTES

# NOTES

# NOTES

# NOTES

# NOTES

# Watch for New Product Announcements from Spears® Innovation and Technology



## SPEARS® MANUFACTURING COMPANY



### CORPORATE OFFICE

15853 Olden Street, Sylmar, CA 91342  
PO Box 9203, Sylmar, CA 91392  
(818) 364-1611 • [www.spearsmfg.com](http://www.spearsmfg.com)

### PACIFIC SOUTHWEST

15860 Olden St.  
Sylmar (Los Angeles), CA 91342  
(818) 364-1611 • (800) 862-1499  
Fax (818) 367-3014

### ROCKY MOUNTAIN

4880 Florence St.  
Denver, CO 80238  
(303) 371-9430 • (800) 777-4154  
Fax (303) 375-9546

### UTAH

5395 West 1520 South  
Salt Lake City, UT 84104  
(303) 371-9430 • (800) 777-4154  
Fax (303) 375-9546

### SOUTHEAST

4205 Newpoint Pl., Suite 100  
Lawrenceville (Atlanta), GA 30043  
(678) 985-1263 • (800) 662-6326  
Fax (678) 985-5642

### MIDWEST

1 Gateway Ct., Suite A  
Bolingbrook (Chicago), IL 60440  
(630) 759-7529 • (800) 662-6330  
Fax (630) 759-7515

### NORTHWEST

4103 C St. NE Suite 200  
Auburn (Seattle), WA 98002  
(253) 939-4433 • (800) 347-7327  
Fax (253) 939-7557

### SOUTH CENTRAL

1000 Lakeside Parkway  
Flower Mound, TX 75028  
(469) 528-3000 • (800) 441-1437  
Fax (469) 528-3001

### NORTHEAST

590 Industrial Dr., Suite 100  
Lewisberry (Harrisburg), PA 17339-9532  
(717) 938-8844 • (800) 233-0275  
Fax (717) 938-6547

### FLORIDA

9563 Parksouth Court  
Orlando, FL 32837  
(407) 843-1960 • (800) 327-6390  
Fax (407) 425-3563

### INTERNATIONAL SALES

15853 Olden St.  
Sylmar (Los Angeles), CA 91342  
(818) 364-1611 • Fax (818) 898-3774

### AUTHORIZED DISTRIBUTOR